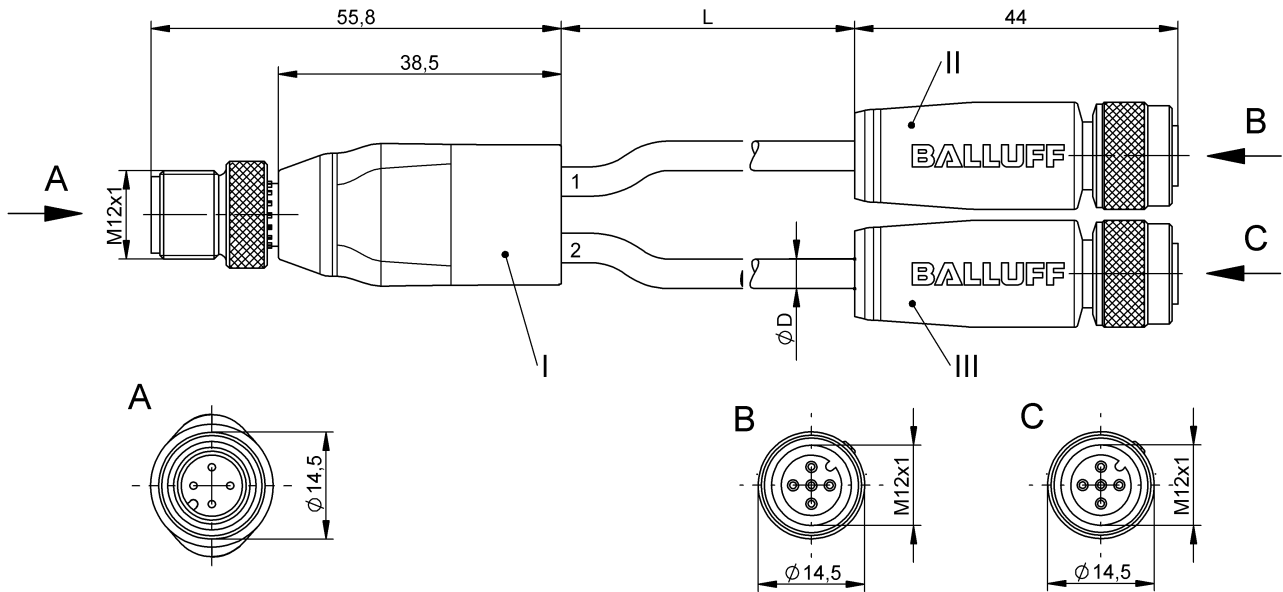


Y-Splitters

BCC W414-W415-W415-U2046-010

Order Code: BCC0HCL

BALLUFF



Basic features

Application	Welding area
Approval/Conformity	CE WEEE

Electrical connection

Bending radius min., fixed cable	10 x D
Bending radius min., flexible cable	15 x D
Cable diameter D	5.70 mm ±0.25 mm
Conductor cross-section	0.34 mm ²
Connection 1	M12x1-Male, straight, 4-pin, A-coded
Connection 2	M12x1-Female, straight, 5-pin, A-coded
Connection 3	M12x1-Female, straight, 5-pin, A-coded
Connector 01, version	straight
Connector 02, version	straight
Connector 03, version	straight
Number of conductors	4/4
Number of pins	4/5/5
System	Molded/Molded/Molded

Electrical data

Operating voltage U _b	250 VDC / 250 VAC
Rated current (40 °C)	4.0 A

Environmental conditions

Cable temperature UL max., fixed routing	150 °C
Cable temperature UL max., flexible routing	150 °C
Cable temperature, fixed routing	-40...200 °C
Cable temperature, flexible routing	-25...200 °C
IP rating	IP67/IP67/IP67

Material

Cable jacket material, note	welding spark resistant
Cable jacket, material	Silicone
Material contact carrier	PUR, special/PUR, special/PUR, special
Material contacts	Brass/Bronze/Bronze
Material cover nut	Brass PTFE coated/Brass PTFE coated/Brass PTFE coated
Material grip	PUR, special/PUR, special/PUR, special

Mechanical data

Cable jacket, color	black
Cable length L	1.00 m
Tightening torque pigtail	0.6 Nm/0.6 Nm/0.6 Nm

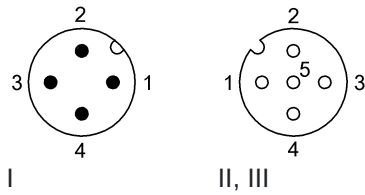
Y-Splitters
BCC W414-W415-W415-U2046-010
Order Code: BCC0HCL



Remarks

Enclosure rating per IEC 60529, only in screwed state with the associated mating piece.
Cable construction acc. to UL-AWM Style 4535
Halogen-free per IEC 60754
Maximum temperature at outer jacket from weld spatter/beads short-time 800°C.

Connector Drawings



Wiring Diagrams

